






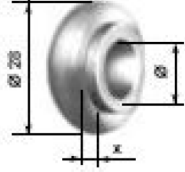
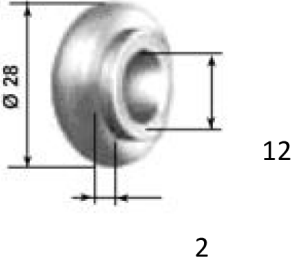
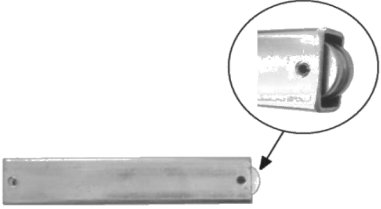





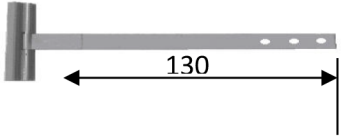
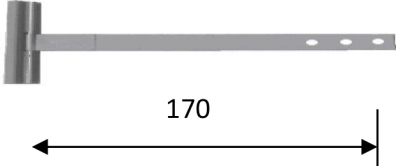




Stock No	Description	
15130	G100 Winch (332.M.00.70 cat pg-188)	
15131	G100 Winch Plastic Box (332.C.00.90 cat pg-188)	
15501	Fixing Bracket	
15502	Arm	
15503	4 Hex Bolts M6 x 12 Zinc plated	

Stock No	Description	
15507	Bearing Holder with "Lugs"	
15508	Bearing with Plastic Bush Ø42	
15511	Bearing with Steel Bush Ø42  (145.N.BF.20) cat pg-240	
15584	Bearing Steel Bush "Ø"=28  (286.F.22.20 cat pg-238)	
15570	Bearing Nylon Bush Ø28 "x" = 2 "Ø"=12  286.N.22.20  cat pg-238	

Stock No	Description	
15520	Ø160 Metal Pulley Galv	
15521	Ø190 Metal Pulley Galv	
15522	Ø210 Metal Pulley Galv	
15523	60mm Galv Metal End Cap	

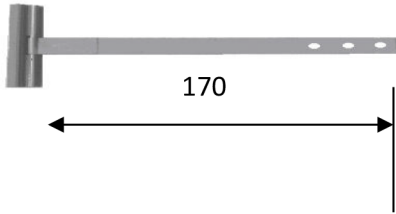
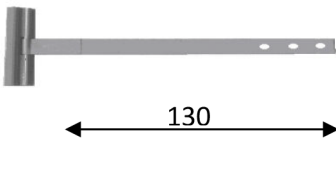

Stock No	Description	
15539	Extension Cable Guide Zinc/P 120 long	
15524	Extension Cable Guide Zinc/P 170 long	
15541-25	Corner Fixing Bracket (25mm)	
15542-50	Corner Fixing Bracket (50mm)	

Stock No	Description	
15307	Security Spring -130 Slit 289.M.P1.31 cat pg-243	
15308	Security Spring -170 Slit 289.M.P2.31 cat p-243	
15556	Security Spring 130 Holes 289.MP4.31 cat pg-243	
15557	Security Spring 170 Holes 289.MP5.31 cat pg-243	
150801	Security Spring -130 Slit – Felted 289.MP.129 cat pg-243	
15802	Security Spring – 170 Slit – Felted 289.MP.229 cat pg-243	

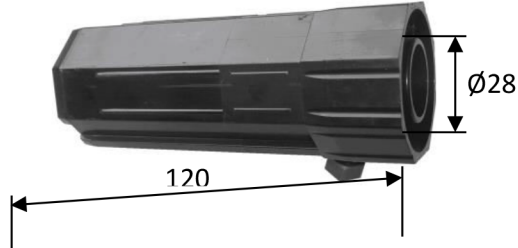
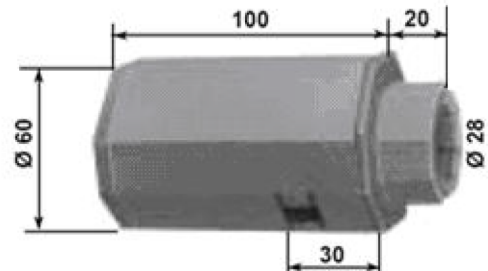

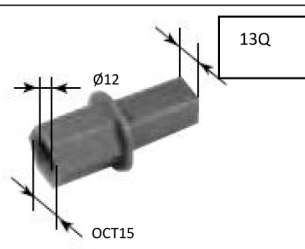



ROLLER SHUTTER COMPONENTS

ABN 24 119 619 064  
1 Griffith Street Knoxfield, Vic. 3180  
Tel: 0438 426 436  
Email: [info@rollsc.com.au](mailto:info@rollsc.com.au)  
[www.rollsc.com.au](http://www.rollsc.com.au)

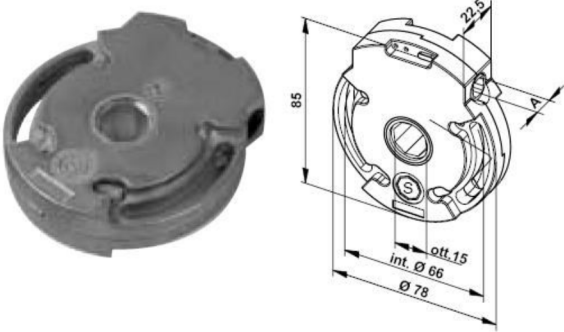
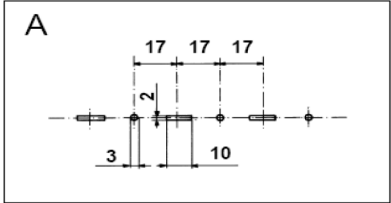
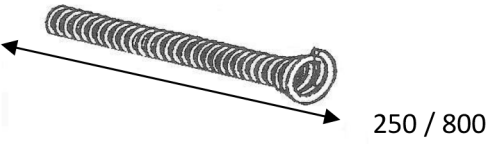

Stock No	Description	
15803	Security Spring 170 holes Felted	 A long metal spring with a thick end on the left and a thin end on the right. It has three holes along its length. A dimension line below it indicates a length of 170 units.
15804	Security Spring 130 holes Felted	 A long metal spring with a thick end on the left and a thin end on the right. It has three holes along its length. A dimension line below it indicates a length of 130 units.
15311	Side Fixing Bracket	 A rectangular metal bracket with four holes arranged in a 2x2 grid. It has a flange on the left side and a small tab on the bottom edge.


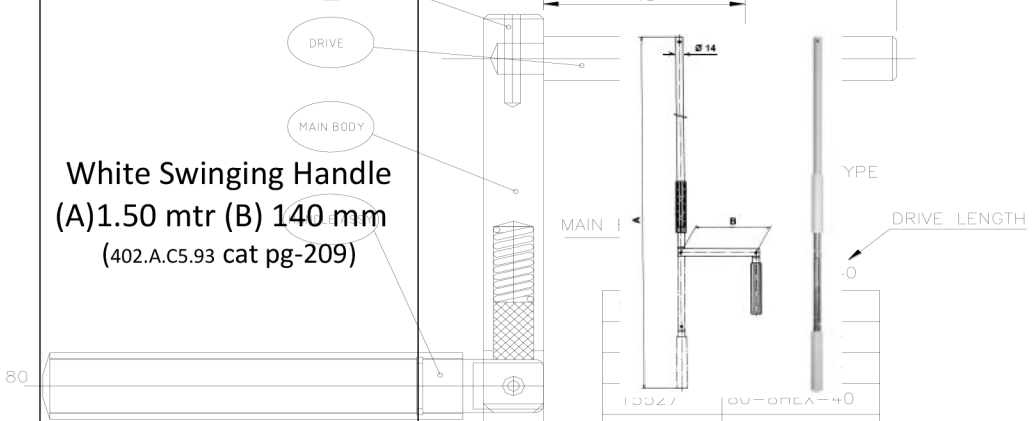
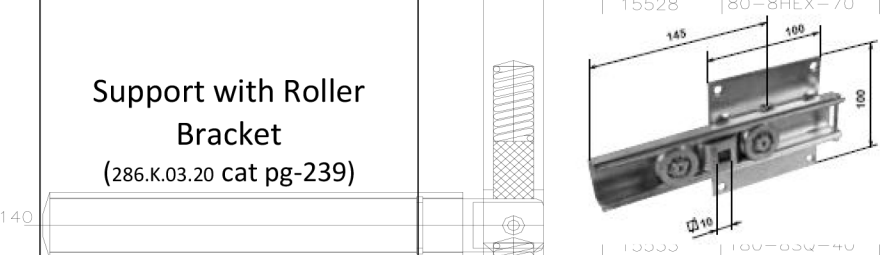
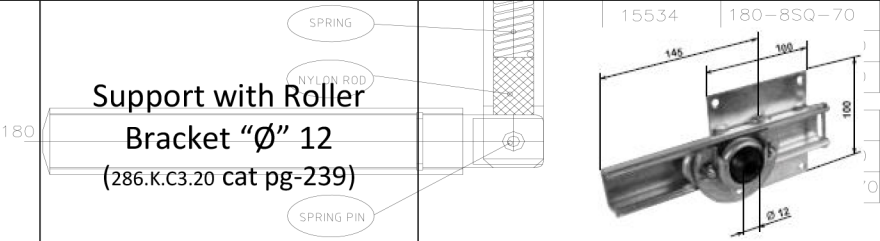
<p>15558 (125mm)</p> <p>15559 (137mm)</p> <p>15560 (150mm)</p> <p>15561 (165mm)</p> <p>15562 (180mm)</p> <p>15563 (205mm)</p> <p>15564 (250mm)</p>	<p>Side Frame -125</p> <p>280.S.12 "Unpainted"</p> <p>280.S.12. A=125mm</p> <p>280.S.13. A=137mm</p> <p>280.S.15. A=150mm</p> <p>280.S.16. A=165mm</p> <p>280.S.18. A=180mm</p> <p>280.S.20. A=205mm</p> <p>280.S.25. A=250mm</p> <p>cat pg-225</p>	
<p>15565</p>	<p>Plastic Entry Guide</p> <p><b>White</b> (53 x 22)</p> <p>282.E.09.93</p> <p>cat p-232</p>	

Stock No	Description	
15566	Plastic Cap 60mm x 120 for Bearing Ø28 285.N.P6.90 cat pg-238	
15568	Plastic End Cap 60mm + 40mm for Bearing Ø28 285.N.00.90 cat pg-238	
15571	Ergon Left End- Stroke Cap 416.S.Q3.90 cat pg-220	
15576	Pivot Ergon SQ.13 377.I.13.70 cat pg-196	
15567	Stainless Steel Cable Ø2.0mm Grade 316 Roll length 305 meters	

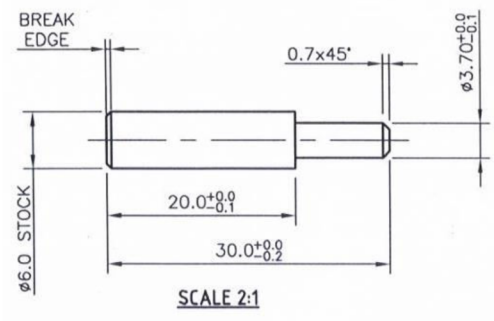



<p>15572</p>	<p>“400PQ834” + Fast Clutch                  400.P.I8.34                  cat pg-205</p>	<p>45°</p>
<p>15573</p>	<p>“400GQ834” + Fast Clutch                  400.G.Q8.34                  cat pg-204</p>	<p>70°</p>
<p>15574</p>	<p>Fast Clutch for Crank                  400.I.F4.34                  cat pg-212</p>	

<p>15575</p>	<p>Ergon 1:8 W/End-Stroke        377.A.Q8.70        cat pg-196</p>	
<p>15580</p>	<p>Steel Roll "Axle" 60mm        .80/10 Galv</p>	
<p>15613  15582</p>	<p>Flex Spring        C24-250 Long         Flex Spring        C25-800 Long</p>	
<p>16106</p>	<p>Special Cover Plate        170 x 115 "GMR"        For G100 Winch</p>	

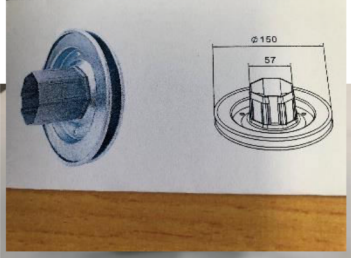
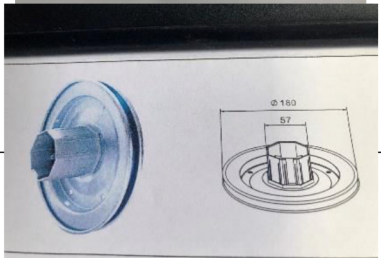
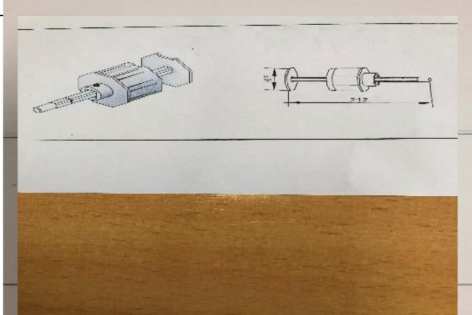
Stock No	Description	
15312 C 15312 W 15312 G	Covers  Cream White Grey	
<b><u>EXTRA LONG SQ &amp; HEX DRIVES ARE AVAILABLE ON REQUEST</u></b>		
Swivel Handle Assembly. ( Stock codes shown below)		
Stock No	Description	
15583	White Swinging Handle (A)1.50 mtr (B) 140 mm (402.A.C5.93 cat pg-209)	
15585	Support with Roller Bracket (286.K.03.20 cat pg-239)	
15586	Support with Roller Bracket "Ø" 12 (286.K.C3.20 cat pg-239)	

Stock No	Description	
----------	-------------	--



15306	Nylon Handle Lock – Black (404.F.00.95 cat pg-213)	
15140	Index Pin	
15108	Spring-for Index Pin	

<p>15588</p>	<p>Dia. 62mm Motor                  Adaptor                  For Awnings                  (580.G.01.90)                  Cat pg-62</p>	
<p>16200</p>	<p>Dia. 70mm Motor                  Adaptor for 70 Axle                  (580.N0.190)                  cat pg-62</p>	
<p>16400</p>	<p>Plastic End Cap 60mm                  With incorporated                  Ø28 bearing</p>	
<p>16403</p>	<p>40mm Oct PVC End                  Cap for 28 Bearing                  2585M0090</p>	

Stock No	Description	
17001 15500	For steel shaft 60 with aluminium cap and ball bearing 60mm Oct. Reinforced Steel End Cap – Z/P	
17002	For steel shaft 60 with aluminium cap and ball bearing RS-RP180/60	
16405 - ø 60 16406 - ø 70	Adjustable aluminium cap with pivot PVC 60mm End Cap with Pivot	
16210 592.R.ED.00	Set of adapters for round tube with "ogive" ø 78 Radio Receiver for direct operation of one motor  Use with Radio Transmitter 592TX100 cat pg-25	